

REPLACEMENT OF THE TERMINAL

How to replace the terminal

1. Remove 2 Screws on the terminal.
(Refer to Figure 1)
 2. Pull out the terminal by holding the handle.
 3. Replace the terminal. Insert the terminal along Guide to fit Plug into Socket. (Refer to Figure 2)
 4. Tighten the screws to secure the terminal.
- ◆ These figures show the case of replacing with HDB 15-PIN terminal.

Figure 1

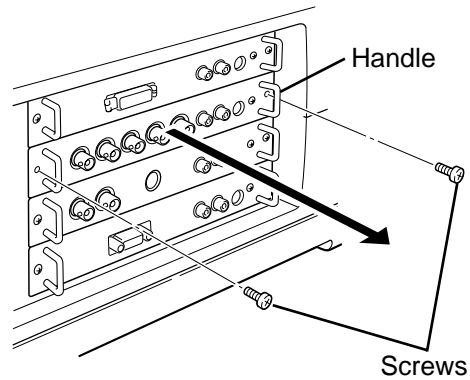


Figure 2

